

Best solution
Better integration

BIPV CAR PORT

PV Car Ports

MATERIALS

- 4 mm tempered glass
high-transparency
- 0.76 mm PVB layer
- 0.21 mm PhotoVoltaic cells
- 0.76 mm PVB layer
- 4 mm tempered glass

Composition:



24 CELLS PV PANEL

SI-ESF-M-BIPV-CT-M158-24

Size: 740 x 1100 x 12 mm

Weight: 23 kg

Matrix: 4 x 6

Transparency: 25.7 %

Power: 135 Wp

Connectors: Type 3

CONFIGURATIONS

CHARACTERISTICS

	4 x 4	7 x 4
Parking places	1	2
N° Modules	16	28
Width (m)	3.29	5.57
Long (m)	4.91	4.91
Area (m ²)	16.2	27.4
Max Power (Wp)	2160	3780

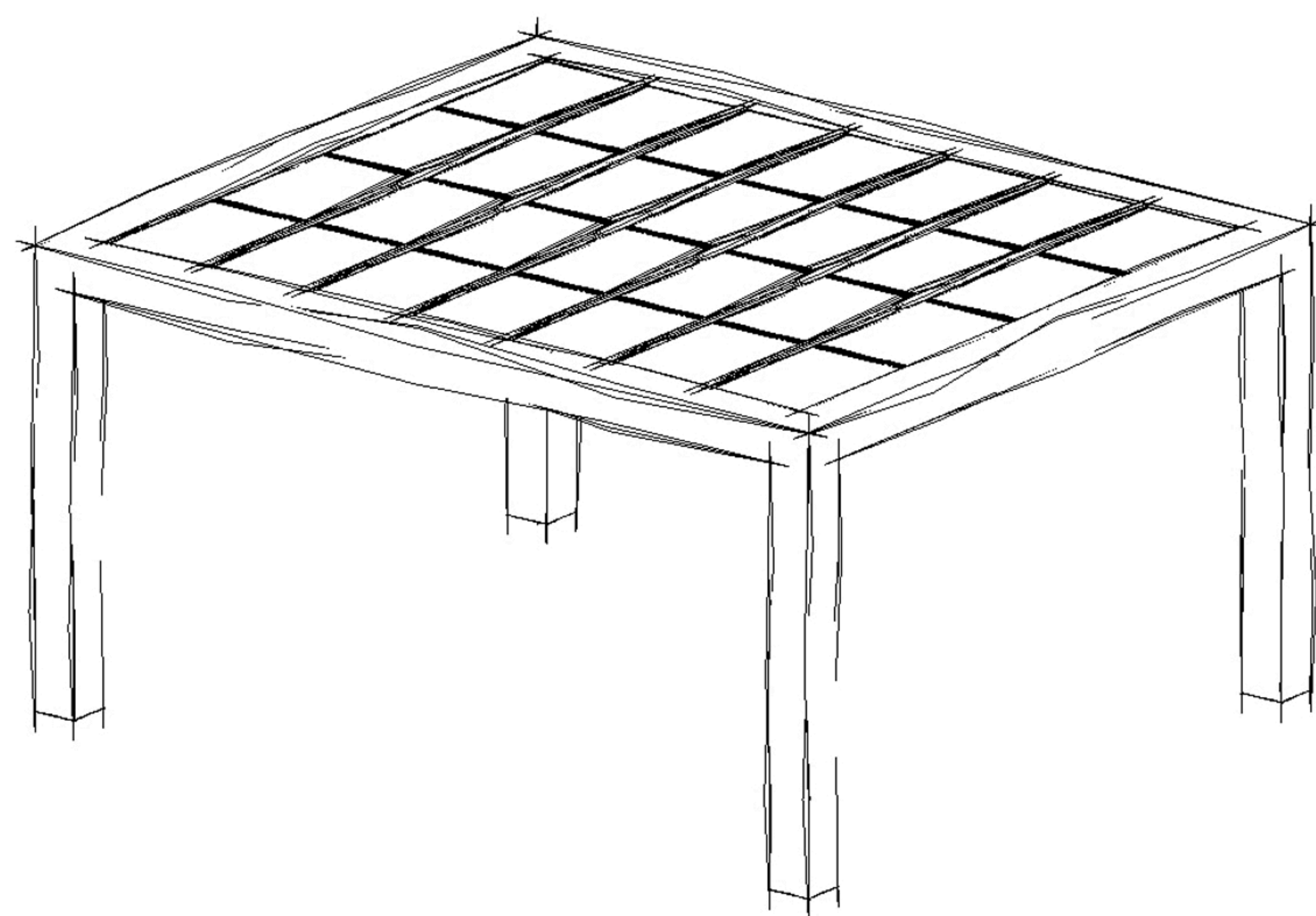
PERGOLA HEIGHT:

Free: 2.3 m

Total: 2.6 m

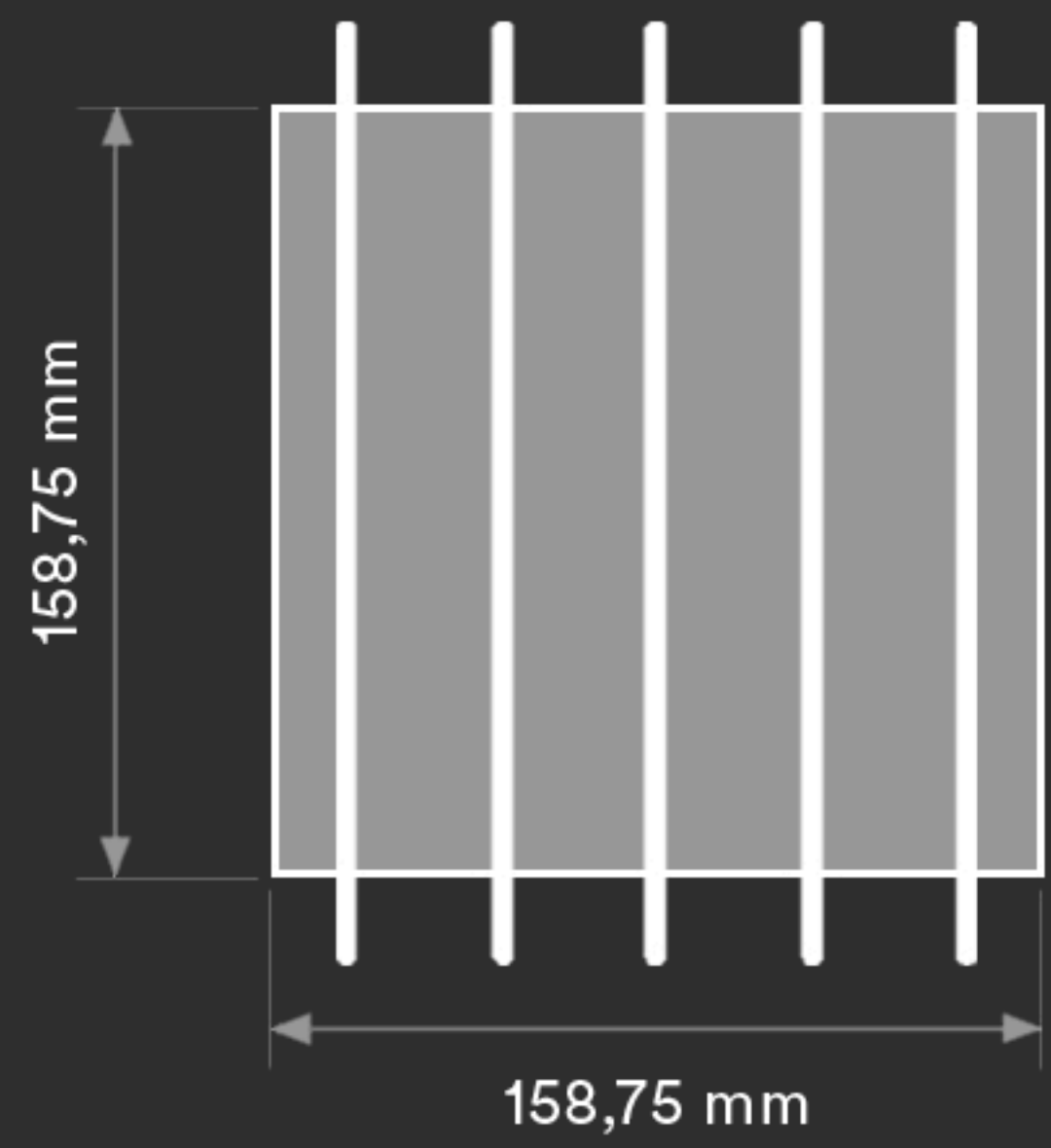


BIPV
ISRAEL

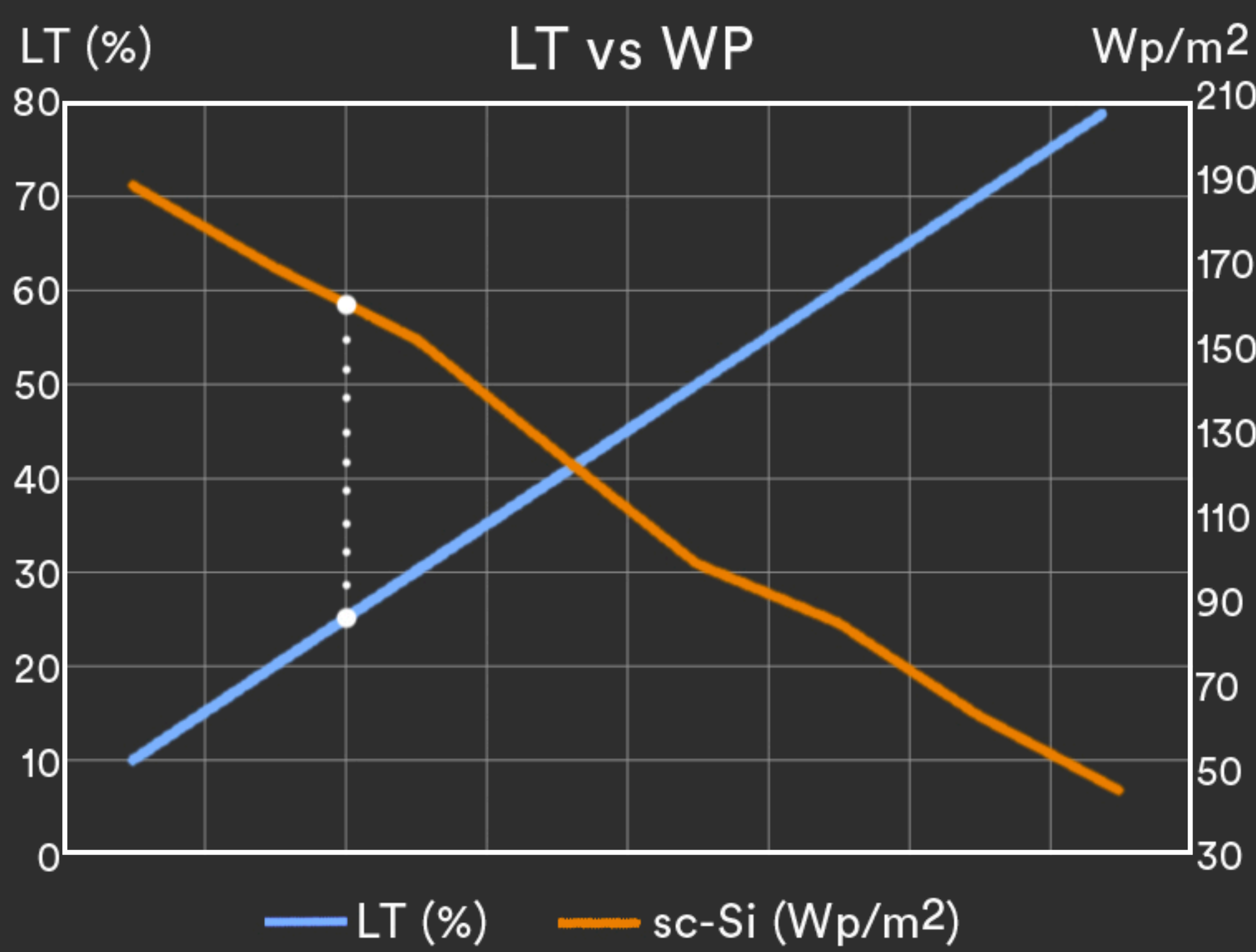
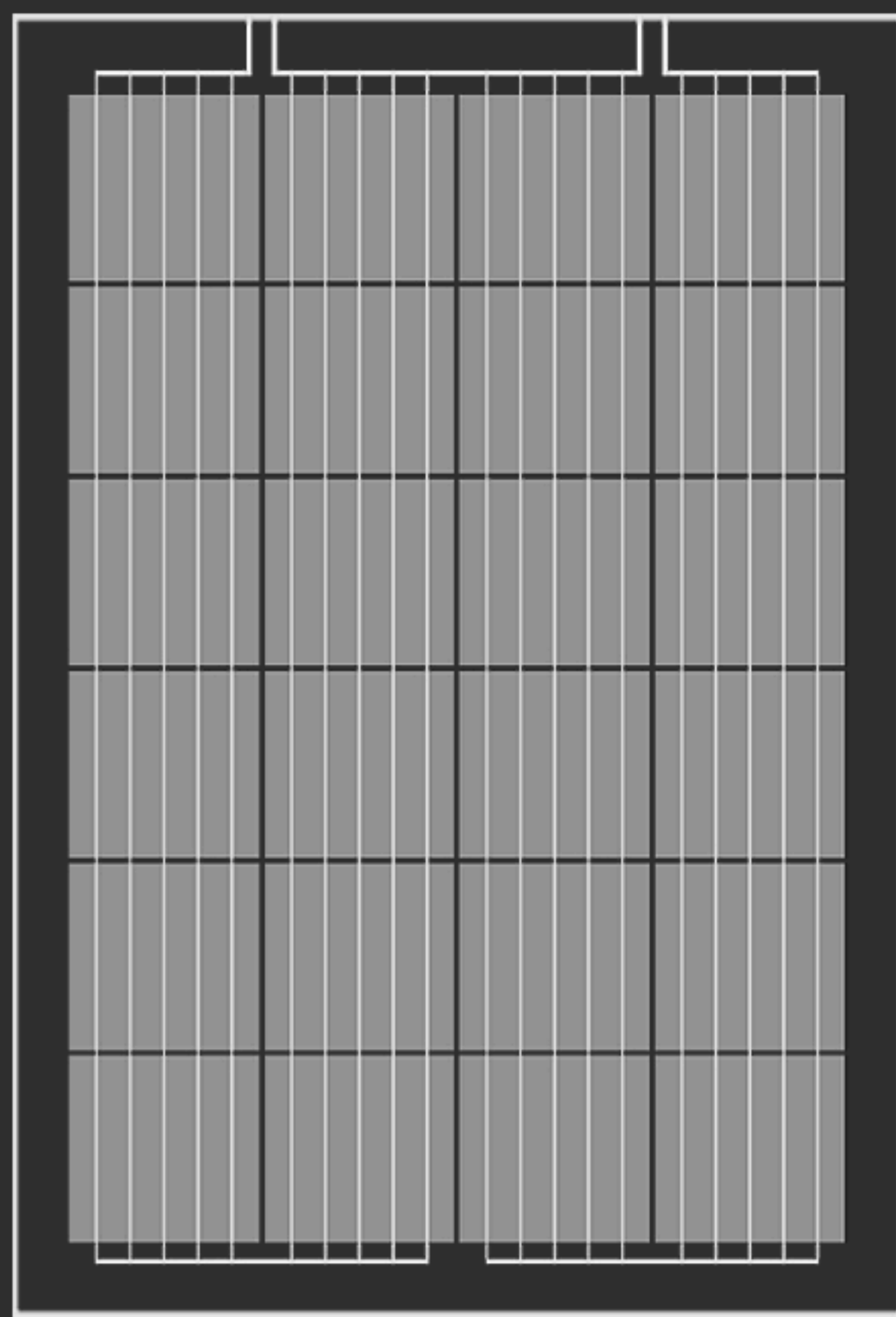


The **photovoltaic** car ports are an alternative form to replace the materials which traditionally are only used in the construction to generate **shades**.

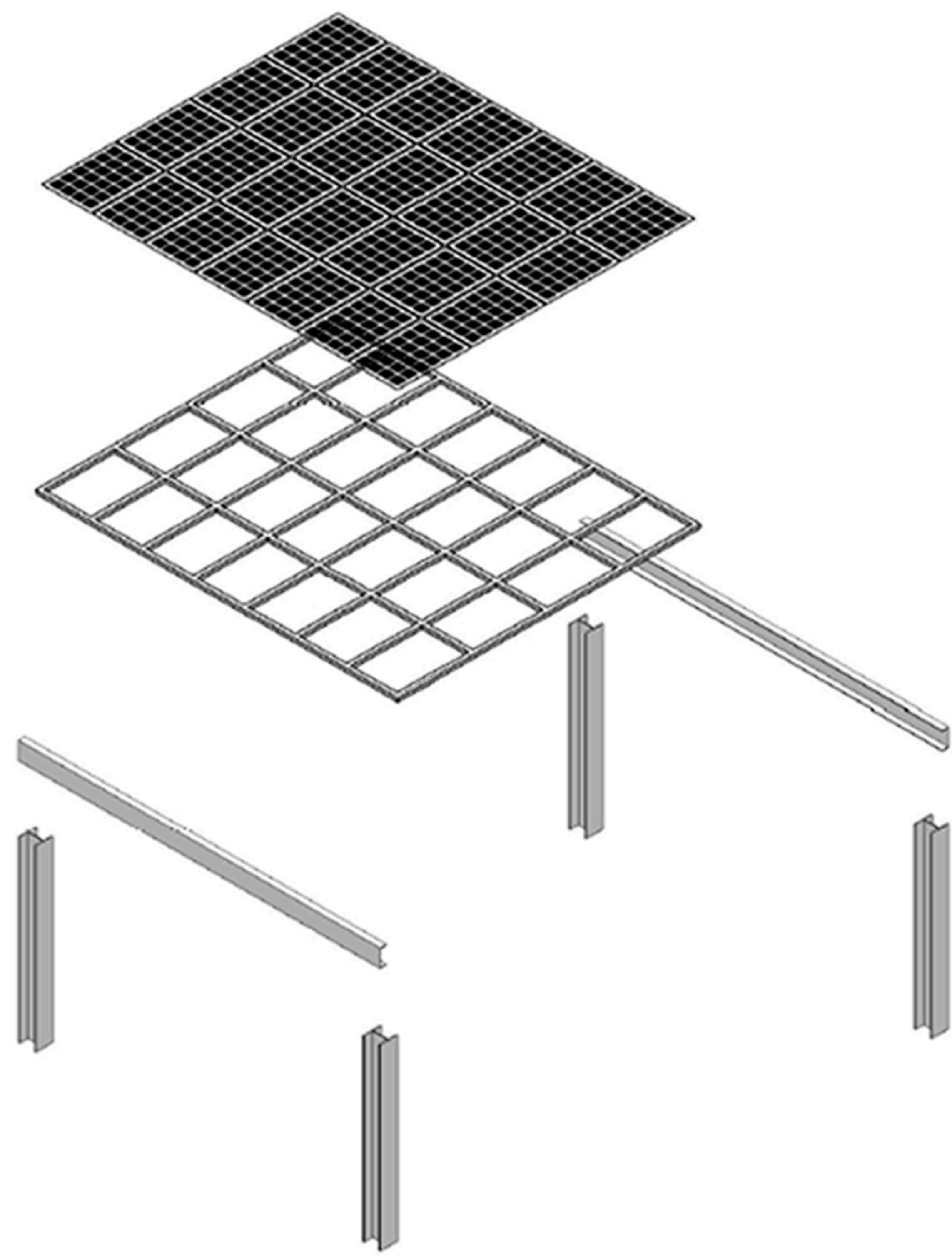
One of the great advantages of Solar Innova's architectural integration **photovoltaic** glasses is that they act as a filter for ultraviolet and infrared radiation, both harmful to health, in addition to generating clean and **free energy** thanks to the sun.



Monocrystalline
• sc-Si PV
• 5bb connection
• high efficiency



Integrated Photovoltaic



+ Energy + Saving - Outlay - CO2

-  2014/35/EU
EN 50583-1
-  ISO 9001
ISO 14001
ISO 45001
-  IEC/EN 61215
IEC/EN 61730

-  nZEB Nearly Zero Energy Buildings
-  ISO 1064 Protocolo GHG
-  WEEE 2002/96/CE
-  Fast Return Of Investment material
-  12/25 years guarantee
-  Photovoltaic Architecture
-  High satisfaction
-  High resistance
-  Low deterioration