

Best solution
Better integration

BIPV PERGOLA

Pergolas PV

MATERIALS

- 5 mm tempered glass
high-transparency
- 0.76 mm PVB layer
- 0.21 mm PhotoVoltaic cells
- 0.76 mm PVB layer
- 5 mm tempered glass

Composition:



24 CELLS PV PANEL

SI-ESF-M-BIPV-CT-M158-24

Size: 740 x 1100 x 12 mm

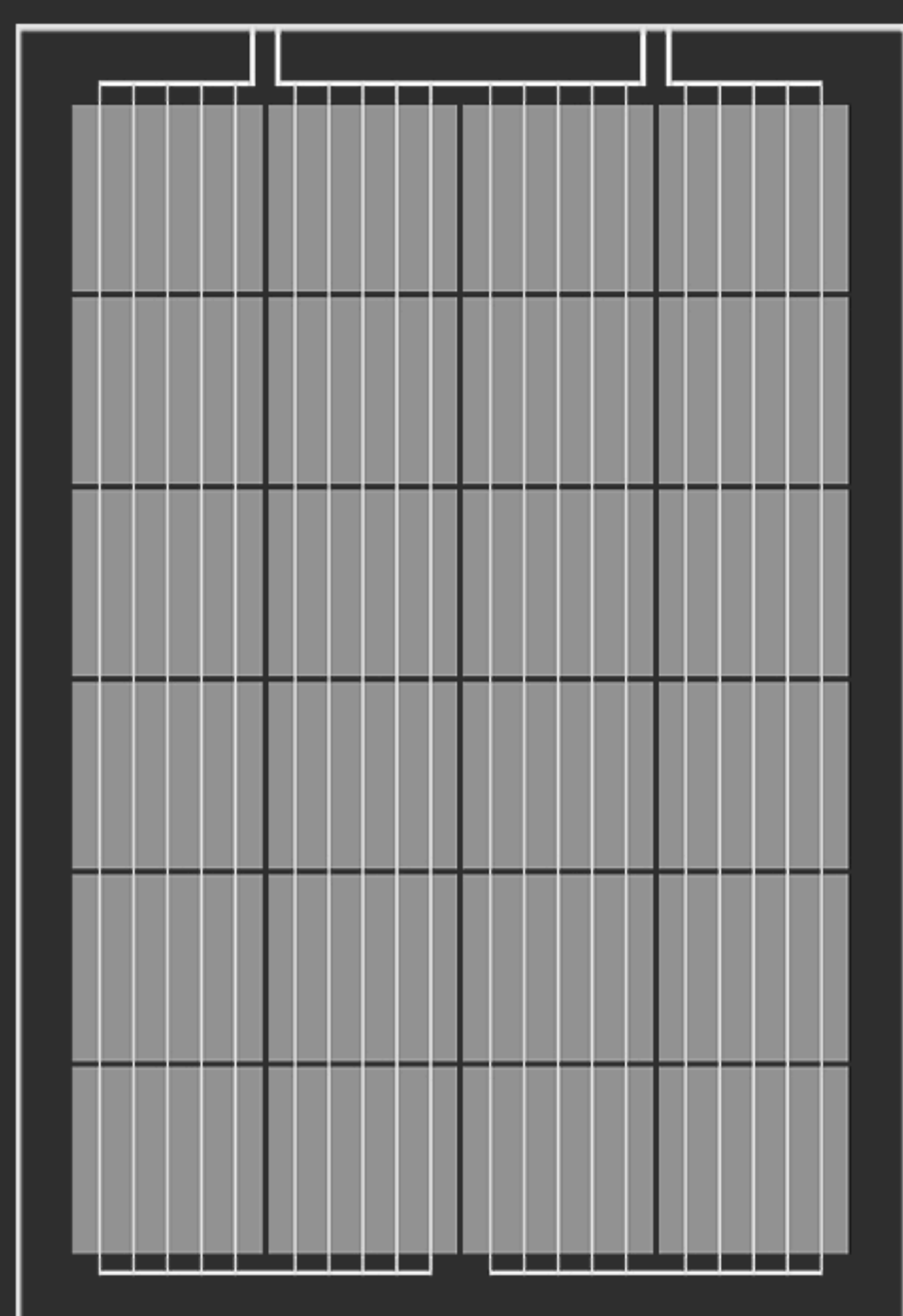
Weight: 23 kg

Matrix: 4 x 6

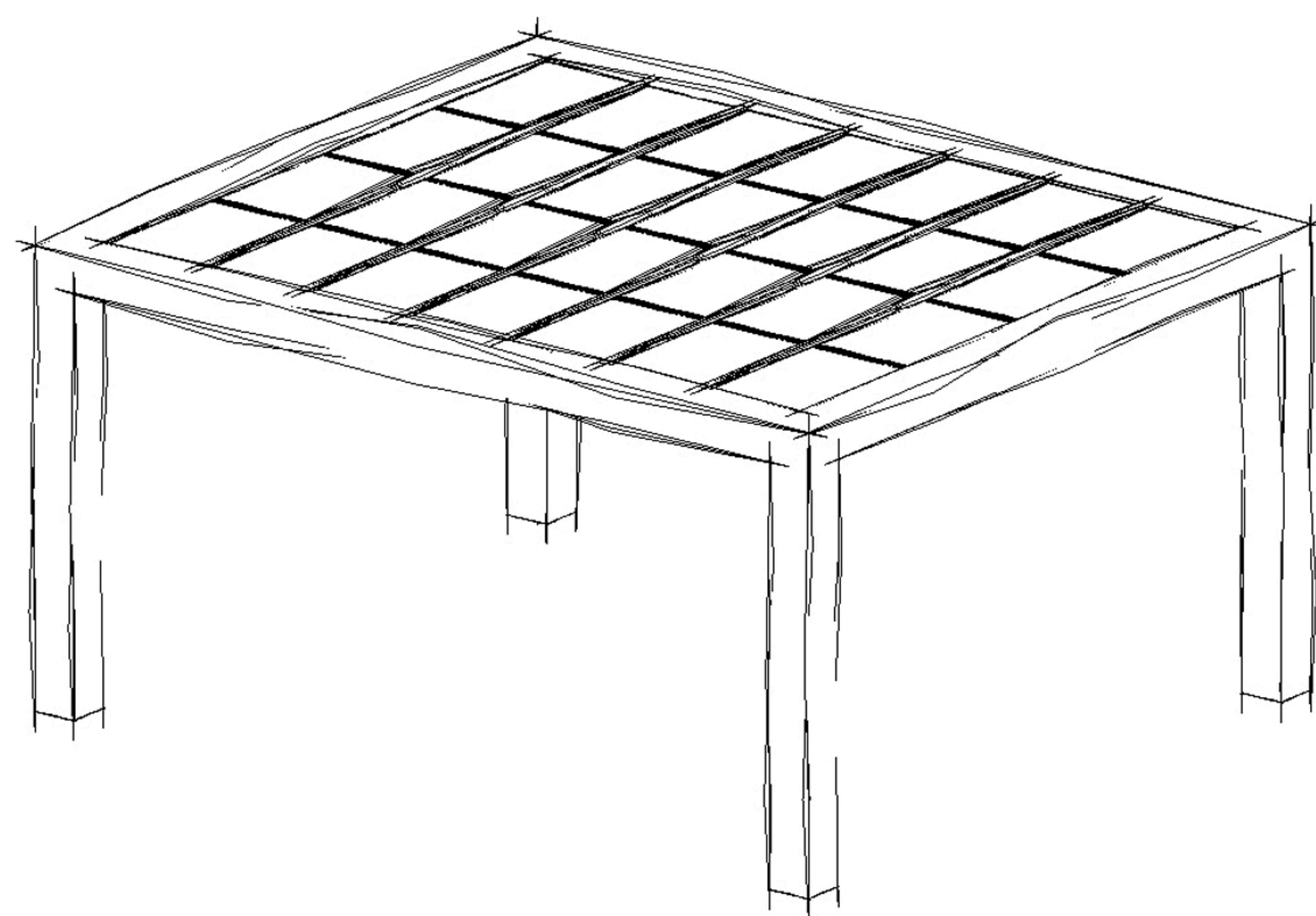
Transparency: 25.7 %

Power: 135 Wp

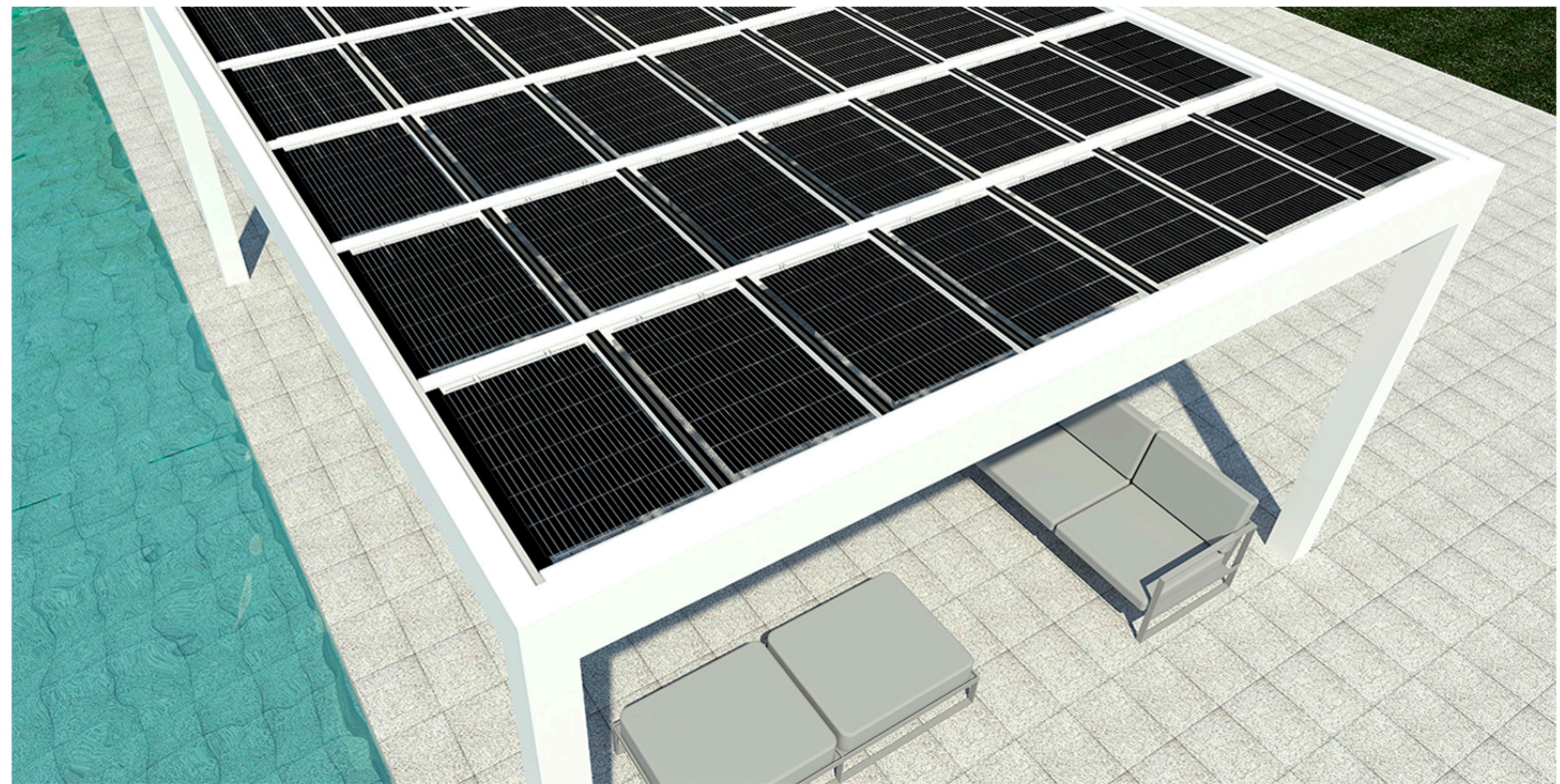
Connectors: Type 3



BIPV
ISRAEL

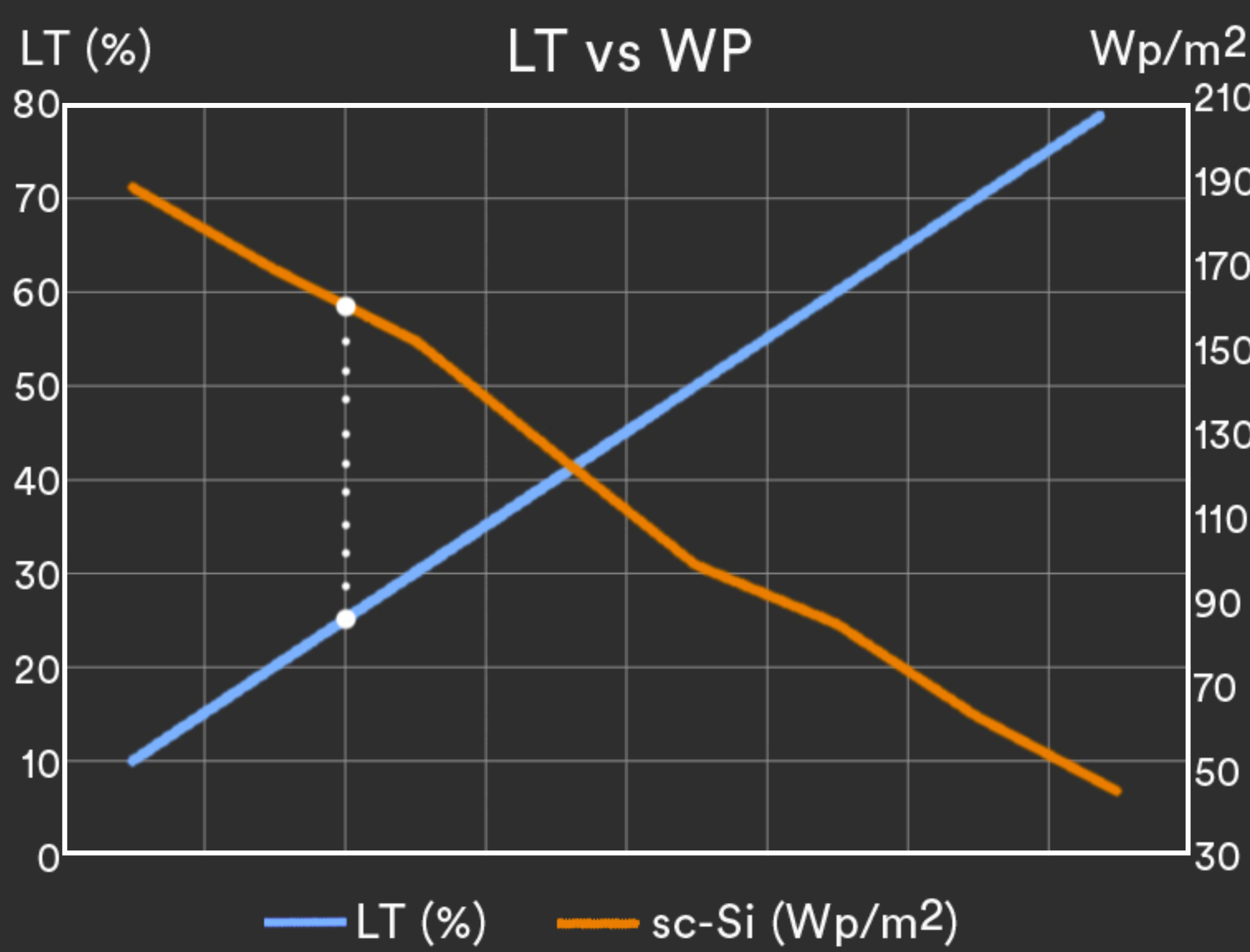
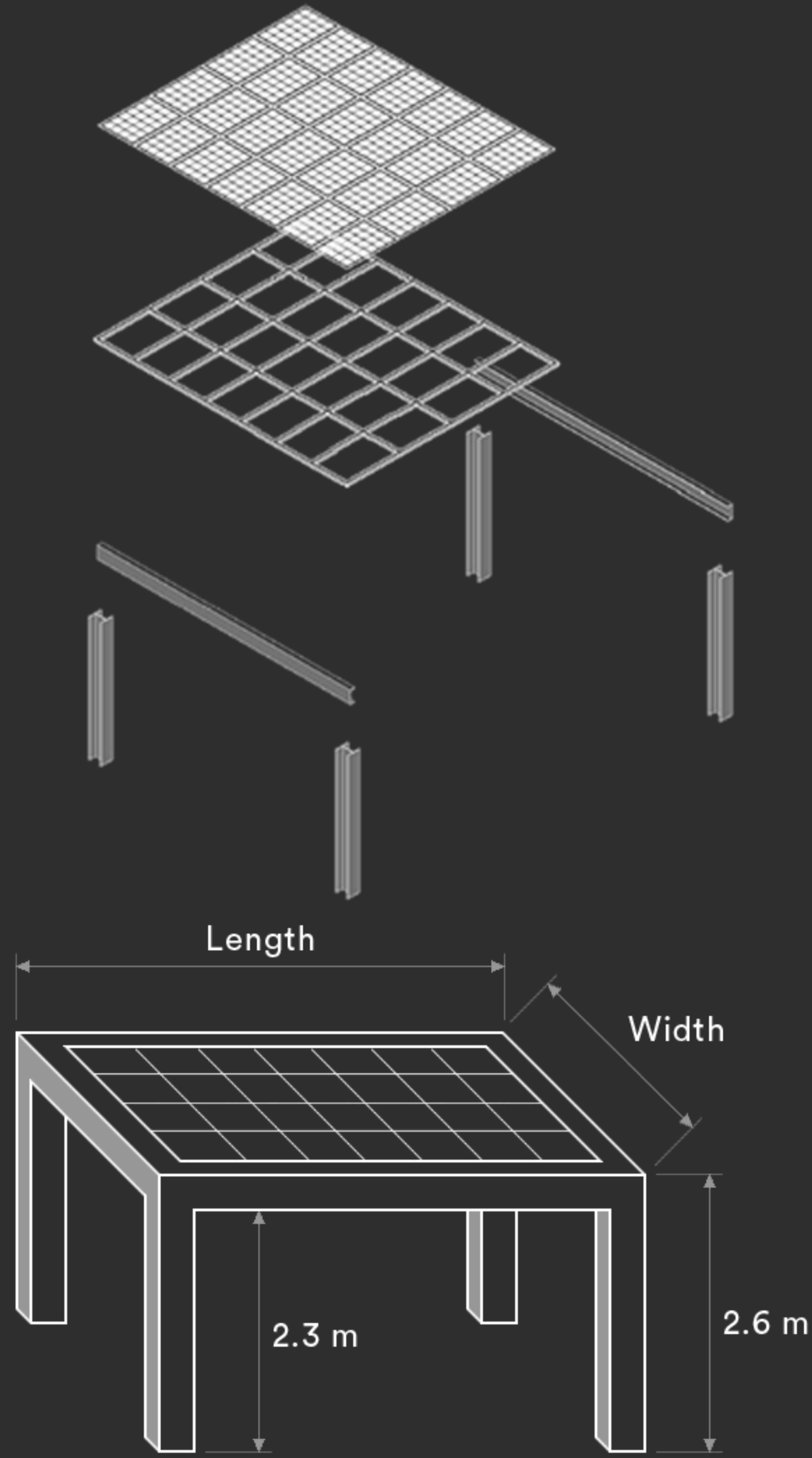


The **photovoltaic** pergolas are an alternative form to replace the materials which traditionally are only used in the construction to generate **shades**.



BIPV

One of the great advantages of Solar Innova's architectural integration **photovoltaic** glasses is that they act as a filter for ultraviolet and infrared radiation, both harmful to health, in addition to generating clean and **free energy** thanks to the sun.



Integrated **Photovoltaic**

N° Moduls	Max Power	Width x Length m	Area m²
2 x 2 → 4	540	1.773 x 2.620	4.65
2 x 3 → 6	810	1.773 x 3.765	6.67
2 x 4 → 8	1080	1.773 x 4.910	8.70
2 x 5 → 10	1350	1.773 x 6.055	10.74
2 x 6 → 12	1620	1.773 x 7.200	12.77
3 x 2 → 6	810	2.533 x 2.620	6.64
3 x 3 → 9	1215	2.533 x 3.765	9.54
3 x 4 → 12	1620	2.533 x 4.910	12.44
3 x 5 → 15	2025	2.533 x 6.055	15.34
3 x 6 → 18	2430	2.533 x 7.200	18.24
4 x 2 → 8	1080	3.293 x 2.620	8.63
4 x 3 → 12	1620	3.293 x 3.765	12.40
4 x 4 → 16	2160	3.293 x 4.910	16.17
4 x 5 → 20	2700	3.293 x 6.055	19.94
4 x 6 → 24	3240	3.293 x 7.200	23.71

N° Moduls	Max Power	Width x Length m	Area m²
5 x 2 → 10	1350	4.053 x 2.620	10.62
5 x 3 → 15	2025	4.053 x 3.765	15.26
5 x 4 → 20	2700	4.053 x 4.910	19.90
5 x 5 → 25	3375	4.053 x 6.055	24.54
5 x 6 → 30	4050	4.053 x 7.200	29.18
6 x 2 → 12	1620	4.813 x 2.620	12.61
6 x 3 → 18	2430	4.813 x 3.765	18.12
6 x 4 → 24	3240	4.813 x 4.910	23.63
6 x 5 → 30	4050	4.813 x 6.055	29.14
6 x 6 → 36	4860	4.813 x 7.200	34.65
7 x 2 → 14	1890	5.573 x 2.620	14.60
7 x 3 → 21	2835	5.573 x 3.765	20.98
7 x 4 → 28	3780	5.573 x 4.910	27.36
7 x 5 → 35	4725	5.573 x 6.055	33.75
7 x 6 → 42	5670	5.573 x 7.200	40.13

+ Energy + Saving - Outlay - CO2

 2014/35/EU
EN 50583-1

 ISO 9001
ISO 14001
ISO 45001

 IEC/EN 61215
IEC/EN 61730

 nZEB Nearly
Zero Energy
Buildings

 ISO 1064
Protocolo GHG

 WEEE
2002/96/CE

 Fast Return Of
Investment
material

 12/25 years
guarantee

 Photovoltaic
Architecture

 High
satisfaction

 High
resistance

 100%
0 ... 25
Low
deterioration